

F

E

D

C

B

A

4

3

2

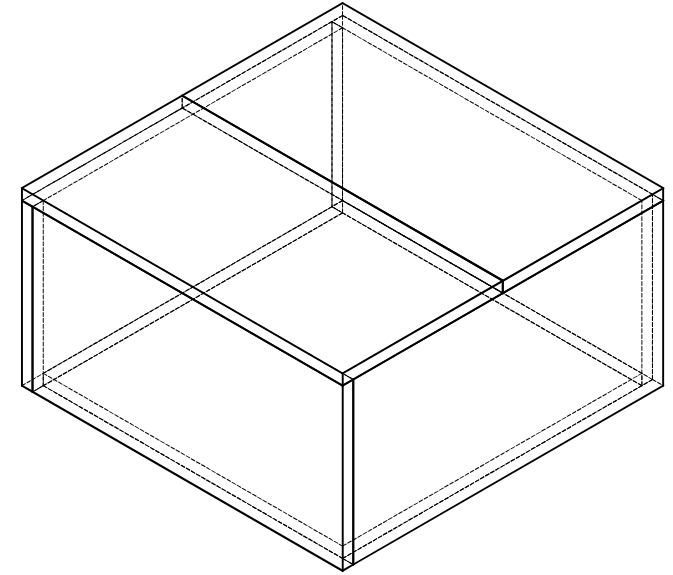
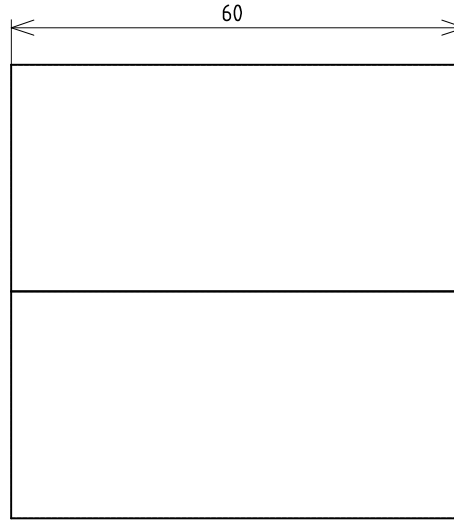
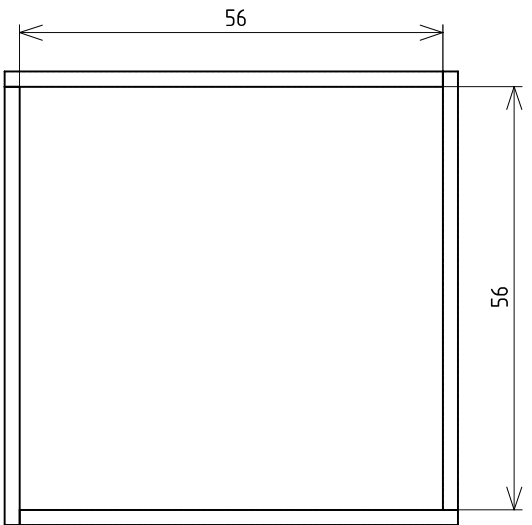
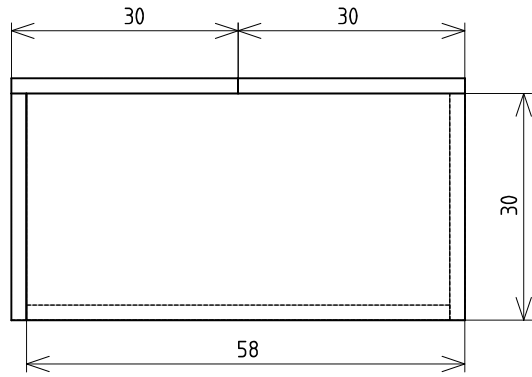
1

4

3

2

1



DESIGNED BY: DB1BKA		Schubladenwächter Gehäuse Pappe		G	—
DATE: 28.02.2023				F	—
SIZE A4		DRAWING NUMBER 1		E	—
SCALE 1:1				SHEET 1	
WEIGHT (kg) --		This drawing is our property; it can't be reproduced or communicated without our written consent.		C	—
				A	—

